

**TARA Two-hole bath mixer for free-standing assembly with hand shower set -
Platinum**

TARA

25 943 882






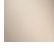





- 220mm projection
- pivotable spout 180°
- spout: circular, air-enriched flow
- Hand shower: COMPACT RAIN, max. flow rate 6.8 l/min (at 3 bar)
- hand shower with anti-scale system
- rotary diverter for bath/shower
- total height 920 mm
- stand pipes height 628 mm
- height up to aerator 765 mm
- slide-on rosettes Ø 90 mm
- gauge 150 mm
- metal shower hose 1250mm with integrated anti-twist protection
- pivotable shower holder on the right foot
- max. flow 22 l/min at 3 bar flow pressure

Note: Local building codes may require the use of an anti-scald device. Please refer to remote pressure balance valve (35 910 970 90) Intrinsic protection against back flow.

Note: Local building codes may require the use of an anti-scald device. Please refer to remote pressure balance valve (35 910 970 90)

Intrinsic protection against back flow.

| | | |
|--|-------------------------------|---------------|
|  | Platinum | 25 943 882-08 |
|  | Chrome | 25 943 882-00 |
|  | Brushed Platinum | 25 943 882-06 |
|  | Dark Chrome | 25 943 882-19 |
|  | Brushed Durabrass (23kt Gold) | 25 943 882-28 |
|  | Matte Black | 25 943 882-33 |
|  | Brushed Champagne (22kt Gold) | 25 943 882-46 |
|  | Champagne (22kt Gold) | 25 943 882-47 |
|  | Brushed Chrome | 25 943 882-93 |
|  | Brushed Dark Platinum | 25 943 882-99 |

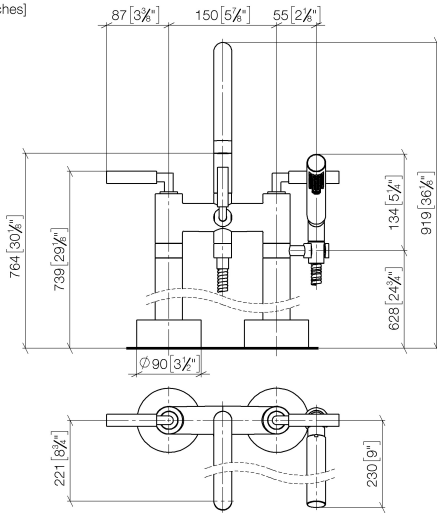
Required miscellaneous



- Concealed floor mounting -**
- max. recess depth 160 mm
 - min. recess depth 80 mm

35 951 970-90
0010

25 943 882
mm [inches]



Flow rate chart



Codes & Standards

ASME
A112.18.1/CSA
B125.1



TARA Two-hole bath mixer for free-standing assembly with hand shower set -
Platinum

TARA

25 943 882

Certificates

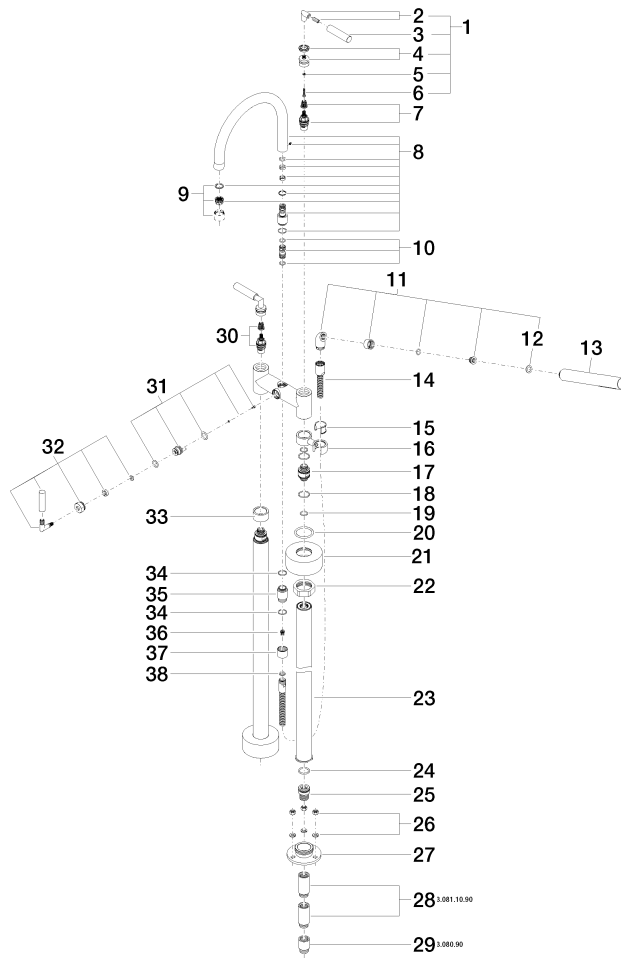
IAPMO_4976 (5).

WRAS_2212005.

LGA_18932.

Belgaqua_21-033-
27_2.

25 943 882





TARA Two-hole bath mixer for free-standing assembly with hand shower set - Platinum

TARA

25 943 882

Spare parts list

| No. | Item Number | Name | Quantity used | Delivery time |
|--|--------------------|--|---------------|---------------|
| 1 | 04 20 88 052 00-08 | handle | 2 | 40 |
| 2 | 04 18 20 022 00-08 | angle | 2 | - |
| Spare part can no longer be ordered, please order the replacement item | | | | |
| 3 | 09 20 88 052-08 | handle | 2 | 40 |
| 4 | 90 12 12 007 00-08 | base | 2 | 40 |
| 5 | 90 30 11 029 00 90 | disc | 2 | 2 |
| 6 | 90 30 30 075 00 90 | screw | 2 | 2 |
| 7 | 90 90 03 130 00 90 | top | 1 | 2 |
| 8 | 90 28 22 222 00-08 | spout | 1 | 40 |
| 9 | 90 23 01 024 00-08 | aerator | 1 | - |
| Spare part can no longer be ordered, please order the replacement item | | | | |
| 10 | 90 21 10 011 00 90 | diverter | 1 | 2 |
| 11 | 04 24 04 189 00-08 | nipple | 1 | 40 |
| 12 | 90 14 20 002 00 90 | seal | 1 | 2 |
| 13 | 28 019 979-08 | Hand shower - Platinum | 1 | 40 |
| 14 | 90 30 02 072 00-08 | Metal shower hose 1/2" x 3/8" x 1250 mm - Platinum | 1 | 40 |
| 15 | 90 18 40 035 00 90 | sleeve | 1 | 2 |
| 16 | 04 28 10 029 01-08 | holder | 1 | 40 |
| 17 | 09 29 05 021 20 90 | nipple | 2 | 2 |
| 18 | 09 14 10 112 90 | seal | 4 | 2 |
| 19 | 90 14 10 055 00 90 | seal | 4 | 2 |
| 20 | 09 14 10 041 90 | seal | 2 | 2 |
| 21 | 09 27 89 025-08 | rosette | 2 | 40 |
| 22 | 09 23 30 040-07 | nut | 2 | 30 |
| 23 | 04 28 22 009 20-08 | connection | 2 | 40 |
| 24 | 09 14 10 081 90 | seal | 2 | 2 |
| 25 | 09 24 03 094-07 | nipple | 2 | 30 |
| 26 | 04 23 10 023 00 90 | fixing set | 2 | 2 |
| 27 | 09 30 11 130-07 | connection | 2 | 30 |
| 28 | 09 24 03 081 10 90 | extension | 4 | 2 |
| 29 | 09 24 03 080 90 | extension | 2 | 2 |
| 30 | 90 90 03 131 00 90 | top | 1 | 2 |
| 31 | 90 15 01 005 00 90 | insert | 1 | 2 |
| 32 | 90 18 20 025 00-08 | diverter | 1 | 40 |
| 33 | 09 28 10 028-08 | sleeve | 1 | 40 |
| 34 | 90 14 10 032 00 90 | seal | 2 | 2 |
| 35 | 09 24 03 121-08 | nipple | 1 | 40 |
| 36 | 09 23 01 131 90 | back-flow preventer | 1 | 2 |
| 37 | 09 21 02 143-08 | sleeve | 1 | 40 |
| 38 | 90 14 20 026 00 90 | seal | 1 | 2 |